



INTERNAL DOOR

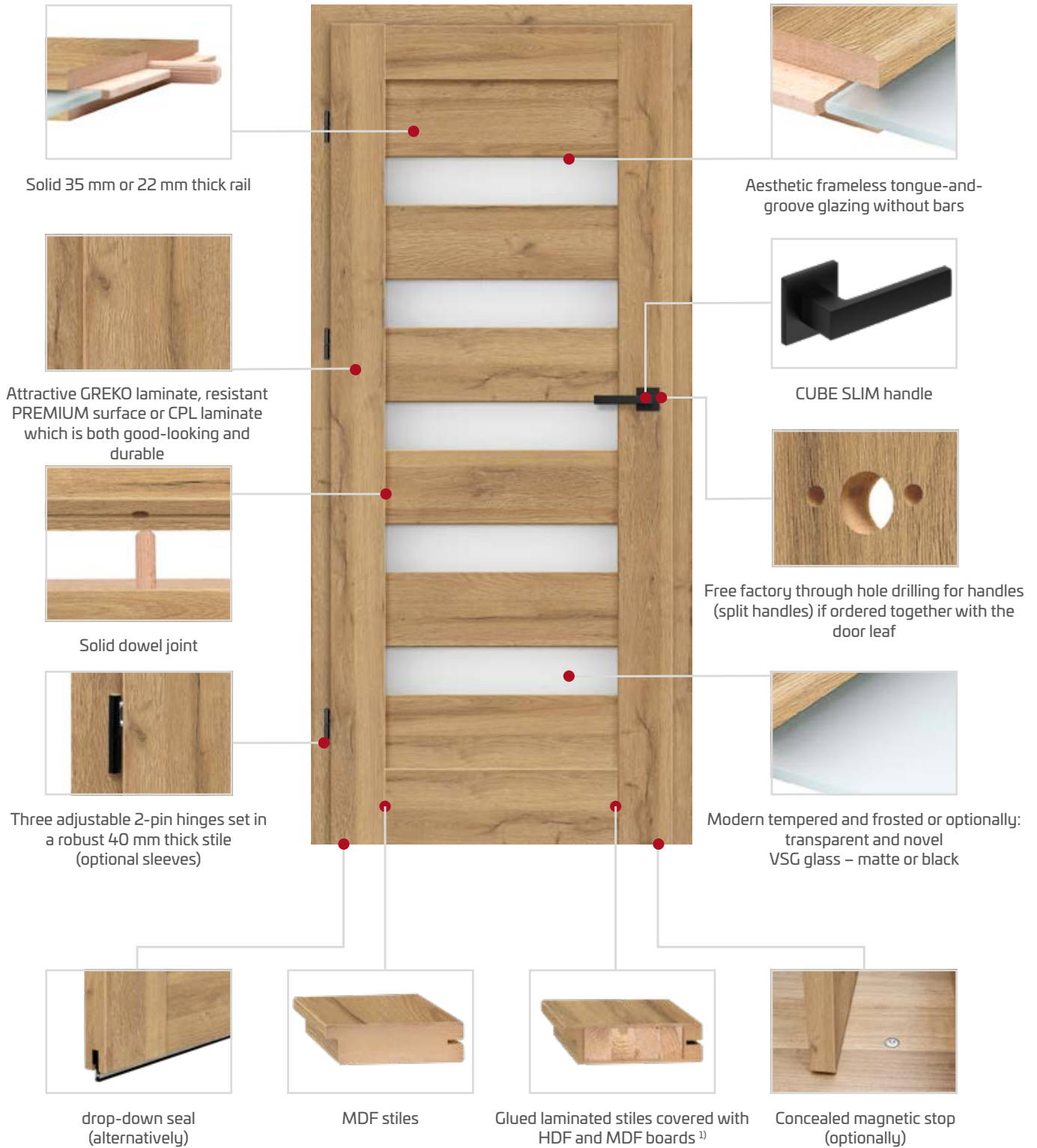
TECHNICAL INFORMATION

2025/2026

FBS
DOORS

STILE DOORS

REBATED AND NON-REBATED



¹⁾ Available for an additional charge for rebated and non-rebated models, and the non-rebated models for sliding systems in PL and CZ standard for WHITE PREMIUM, NATUR OAK PREMIUM, GRAPHITE ASH PREMIUM, GREY MAPLE PREMIUM, OAK ST CPL

TECHNICAL INFORMATION

DOOR OPENING DIRECTIONS



Do you know how to distinguish between right and left-hand doors? This is a key decision for the comfort and functionality of your home. Here are some tips:

- Facing the door: position yourself so that the door opens towards you. If the hinges are on the left, it is the left-hand door; if on the right, it is the right-hand door.
- Space planning: avoid clashes with furniture and other doors.
- Functionality: bathroom doors always open outwards.

REBATED, NON-REBATED, REVERSE DOORS

OPENING DIRECTION



LOCK CORES



lock core
nickel satin



lock core with thumbturn
nickel satin

Lock cores in the master key system 30/45 + 30G/45
outswing doors – silver
– black

Lock cores in the master key system 30/45 + 30/45G
inswing doors – silver
– black

LOCK CORE	LOCK CORE WITH THUMBTURN
Size	Size
26/36	G30/40
30/30	G40/30
30/40	G30/50
30/45	G50/30
30/50	30/45G
20/40	30G/45

NOVA CLICK and TOPAZ CLICK HANDLES

LEFT
VERSION
L



RIGHT
VERSION
P

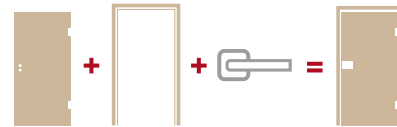
The LEFT version of the NOVA CLICK and TOPAZ CLICK handles is used for:
– right door outwards opening
– left door inwards opening

The RIGHT version of the NOVA CLICK and TOPAZ CLICK handles is used for:
– right door inwards opening
– left door outwards opening

DOOR FRAME JOINTS



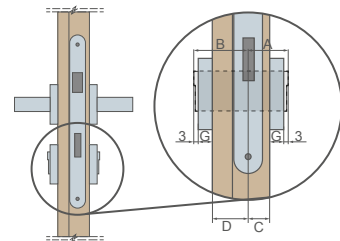
HOW TO CALCULATE DOOR PRICE



DOUBLE DOORS



HOW TO SELECT A LOCK CORE



Example of calculating the lock core size for the flush and panelled doors (40mm) with the escutcheon thickness of G = 7 mm

$$A/B = (C+G+3) / (D+G+3)$$

$$A/B = (15+7+3) / (25+7+3)$$

$$A/B = 25/35$$

Door type	Door leaf thickness	Proportion of lock setting in door (C/D)	Recommended lock core size (A/B)*
flush, panelled (rebated)	40 mm	15/25	26/36
flush, panelled (non-rebated)	40 mm	20/20	30/30
reverse	40 mm	15/25	26/36
HERSE	46 mm	15/31	30/45
LEDA EI 30	50 mm	19/31	30/40
LEDA EI 60	60 mm	19/41	30/50
FORTECA RC2 & RC3	46 mm	20/26	30/40
LOFT (cassette)	39 mm	9/30	20/40

* Recommended lock core size for the escutcheon thickness of 7 mm and play of 2 mm to 4 mm

DOOR FACE FINISH TYPES

GREKO

The Greko laminate is also pre-impregnated, which means printing and then coating with paint with required properties. Using the performance finishing coats adds to the surface's resistance and flexibility of the product. The paint's silicon content ensures the film resistance is enhanced.

The Greko laminate is manufactured on a high density Japanese base layer which is not resin coated. This makes the film ecological, healthy and safe for people and environment both in the production process and during use, as well as for disposal. No formaldehyde or other harmful ingredients are used.

Its distinctive patterns are what distinguishes the Greko film. The facing layers bear striking resemblance to wood, as the high quality surface comes with a 3D natural wood effect. The facings look just like wood.

ST CPL, CPL 0.2 and CPL 0.7

The CPL facing is composed of a decorative layer impregnated in resins, and a base layer ensuring flexibility. Following the lamination process, the top resin layer is hardened for high resistance to scratching and abrasion. It is characterised by high resistance to impact, abrasion, scratching, heat and UV radiation

Thanks to using this type of material, the door can be installed in so-called "difficult" interiors [exposed to heat, moisture or extraordinary use]. Approx. laminate thickness: ST CPL – 0.15 mm, CPL 0.2 – 0.2 mm and CPL 0.7 – 0.7 mm. The CPL 0.7 laminate is used to cover only one leaf plane thanks to its unique hardness. The CPL 0,2 and CPL 0.7 laminated door leaves come with the leaf edge made of the so-called ABS, a highly durable PVC.

ST CPL facing in white, light grey, cappuccino, black has been refined in the AntiFinger coating limiting dirt and fingerprints. **NEW**

PREMIUM

The PREMIUM facing is a product based on Polypropylene (PP), a material of very high resistance to abrasion and scratching, plus top quality appearance. It adds a refined looks and individual character to the doors, as it imitates natural wood perfectly.

Not only does the PREMIUM facing attracts with its appearance but with its functionality, as it resists scratching better than average products and is fire-retardant and abrasion resistant. These properties ensure the extended longevity and maintenance-free use of the PREMIUM range products even in most adverse conditions.

UV VARNISH

The door surface has several coats of the TITANIUM WHITE UV modern UV hardened varnish. The flat surfaces are covered with a specialist base membrane in the first phase, and then coated twice with a top quality paint and hardened with UV.

The moulded surfaces cannot be covered with the membrane for technological reasons, so they are coated with three paint layers and hardened with UV.

The fully automatic coating process follows scanning to ensure ideal quality of the surface. Hardening the paint with the cutting-edge method involving UV light source ensures very high mechanical resistance.

EDGE FINISH TYPES

SOFT EDGE

SOFT  **NEW**

The SOFT door leaf comes with a chamfered edges, which lends an aesthetic and modern look to it. The leaf is finished with a laminate of an improved resistance to scratching, which dramatically enhances its resistance during use.



STANDARD EDGE

STANDARD 

It involves covering the flat plane with the 0.15 mm ST CPL, CPL 0.2, CPL 0.7 facings, polypropylene PREMIUM facing or GREKO laminate.

The door leaf made in STANDARD technology has unchamfered edges, which is where the face panel is joined with edges facing, as shown in the diagram. The laminate in the CPL 0.2 and CPL 0,7 laminates is made of very durable PVC, the so-called ABS. The joining method of the laminate is also identical for the non-rebated doors and non-rebated sliding systems.



AVAILABLE SOLUTIONS (pp. 154-165)

- wall-mounted sliding door systems, single door



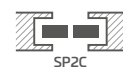
- wall-mounted sliding door systems, double door



- pocket sliding door systems, single door



- pocket sliding door systems, double door



- supplementary system ZN1



- supplementary system ZN2

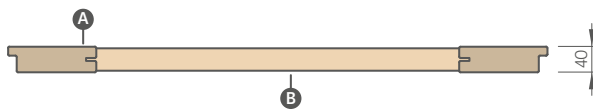
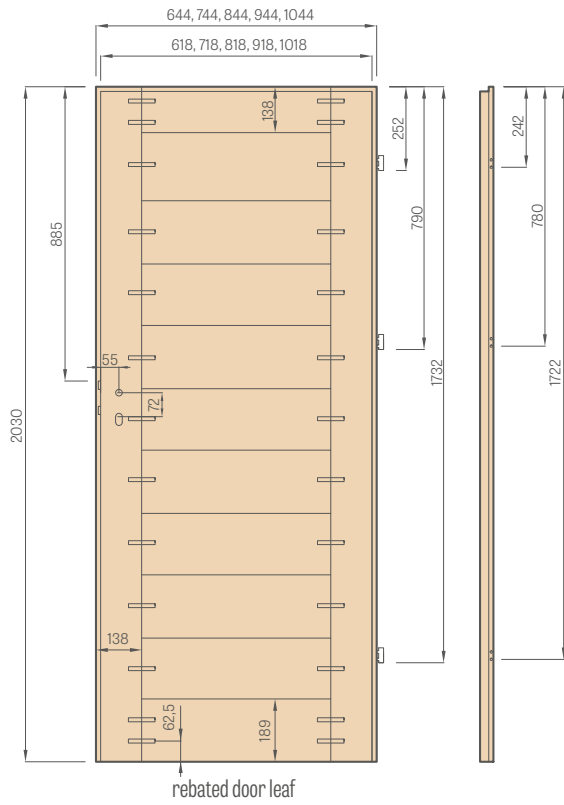


- double doors



¹⁾ applies only to BALDUR 1 WITH WHITE ST CPL facing layer with solid core infill

STILE PANELLED DOOR



- A** MDF stiles
- B** MDF rails



Solid 35 mm or 22 mm thick rail



Aesthetic frameless tongue-and-groove glazing without bars



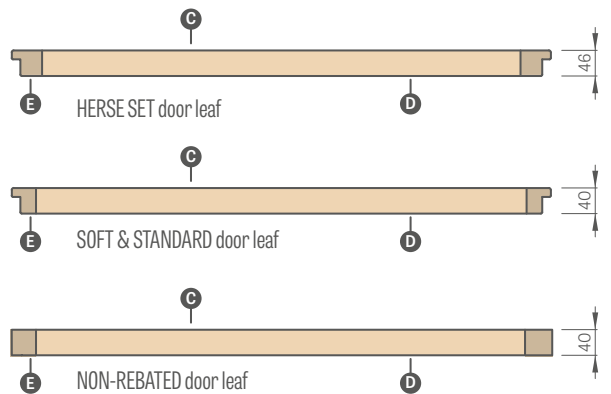
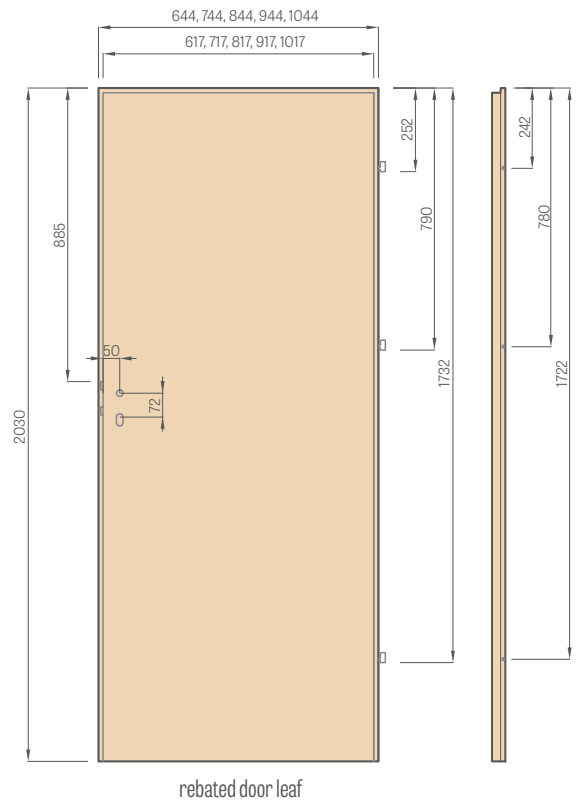
MDF stile for the GREKO, PREMIUM and CPL facings, also with the AntiFinger coating

NEW



Glulam timber stile covered with HDF and MDF boards available for an additional charge for the following facing layers: WHITE PREMIUM, OAK NATUR PREMIUM, GRAPHITE ASH PREMIUM, GREY MAPLE PREMIUM, OAK ST CPL

FLUSH DOOR



- A** - MDF board
- B** - gasket
- C** - HDF board
- D** - filling;
- E** - MDF or timber stiles in Herse SET and UNO PREMIUM

FILLING TYPES

honeycomb



solid core filling

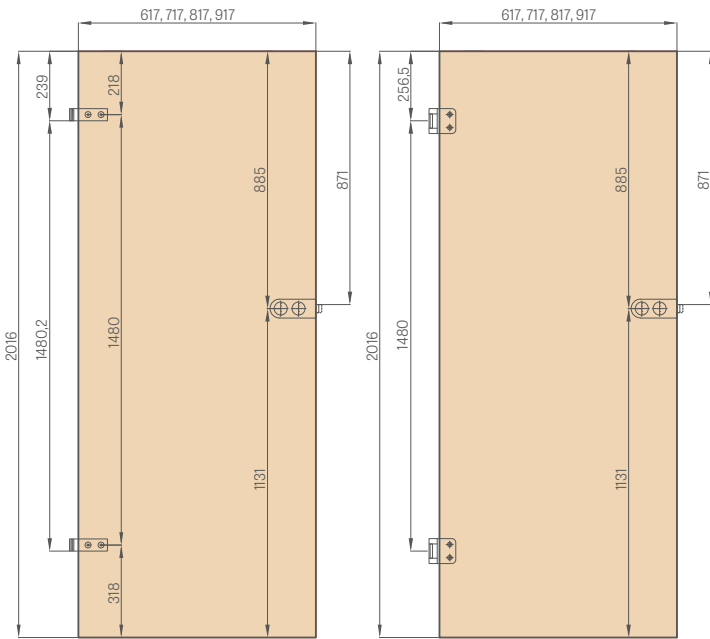


The honeycomb and the solid core filling in the flush doors ONLY. For the solid core doors we add a third hinge as standard.

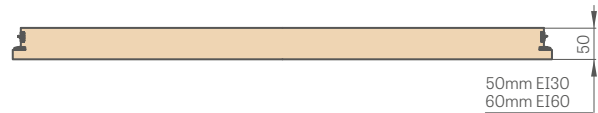
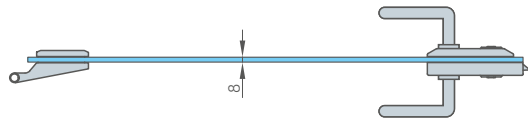
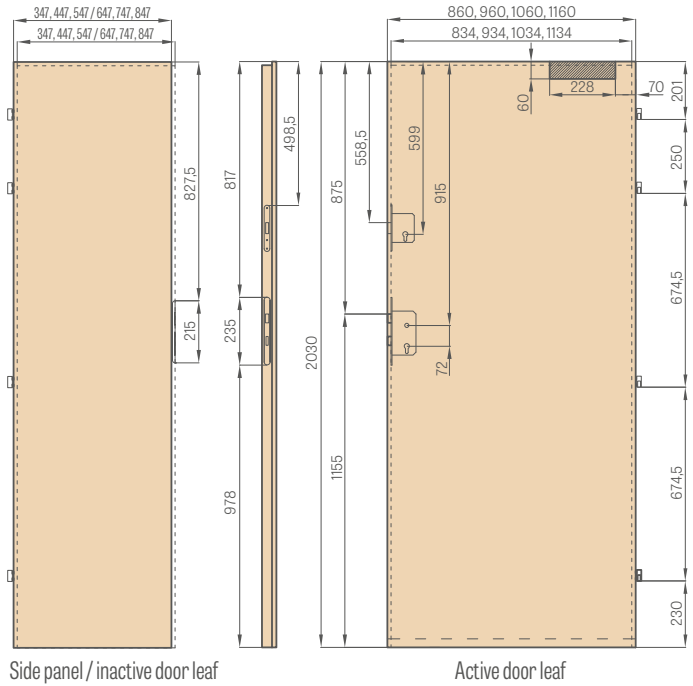
GRAF GLASS PANEL

standard hinge

vertical hinge



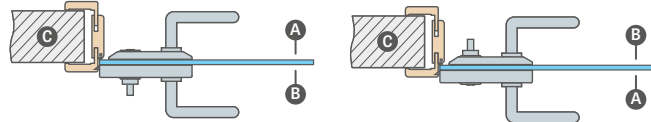
FIRE DOOR LEAF



BATHROOM TURN & RELEASE

outside (Z)

inside (W)



A corridor; **B** bathroom; **C** wall

Bathroom lock – for turn and release locks, select:

OUTSIDE lock – with the bathroom turn and release is fitted to the outside of the door (Z)

or

INSIDE lock – with the bathroom turn and release is fitted to the inside of the door (W)

NOTE: Directions for the turn and release locks apply (R/L)



Specially designed HALSPAN board filling
44 mm [EI30] / 54 mm [EI60]



Fire rated and smoke intumescent door gasket in red or black



Drop-down gasket with pressure adjustment by Allen key



Useful four hinges; $\varnothing 16$, 3D adjustable



Fixed door frame

STANDARD OBLVERSE GLAZING



REVERSE GLAZING MADE TO ORDER:



G plain side **M** ornamented matte side

CLEANING, REVITALISATION & REGENERATION KIT FOR OTTIMO DOORS



CONCEALED MAGNETIC STOPS NEW

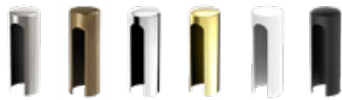


glossy chrome, chrome satin, glossy brass, colourless, white semi-matte, black semi-matte



We assemble the magnetic door stop in a special place milled for this purpose on our own. Product delivered as a separate assortment.
 Caution (important information in case of underfloor heating): the floor element should be placed in the $\varnothing 14$ mm hole, 45 mm deep.
 Magnetic door stop not available for double-leaf doors.

METAL CAPS FOR HINGES



Brushed nickel, patina, glossy chrome, glossy brass, white matte and black matte

Available casings:
 – for Herse/FORTECA $\varnothing 16$, length 47 mm in colours: brushed nickel, patina, chrome gloss, brass gloss, white and black
 – for LEDA EI30 $\varnothing 16$ or LEDA EI60 $\varnothing 20$, length 64 mm in colours: matte chrome, black (no cover possible for doors with steel frame)
 – for interior leaves $\varnothing 15$, length 47 mm in colours: brushed nickel, patina, chrome gloss, brass gloss, white and black

VENTILATION



Square and round metal sleeves

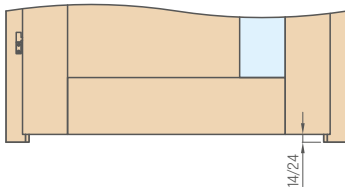
Plastic woodgrain sleeves for STILE doors for GREKO, PREMIUM and CPL facing layers

Grilles



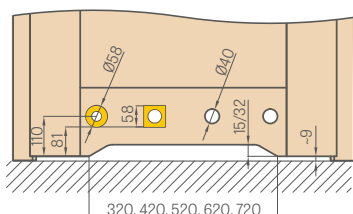
STANDARD RECUPERATION (height 24 mm) or MINI (height 14 mm)

Enhanced airflow trim – full-width leaves are shortened from the bottom by 15 mm or 5 mm (mini version). The door has a standard air gap between leaf and floor of approximately 9 mm, which together with the enhanced airflow trim gives an air gap of approximately 24 mm or 14 mm (mini version). Enhanced airflow trim is not available on bi-fold doors, non-rebated leaves for sliding systems and on FRAGI and GRAF models.



STANDARD VENTILATION (H. 32 mm) or MINI (height 15 mm)

Ventilation undercut not available on non-rebated leaves for sliding systems.



ELECTRIC DOOR STRIKE

(available for fixed and adjustable door frames for rebated and non-rebated doors, see p. 180-183 but unavailable for the door frames used with the GRAF glass panes and double doors)

Types of electric door strikes:

- basic 12 V
- basic 24 V
- switch operated 12 V
- switch operated 24 V
- reverse 12 V
- reverse 24 V



- BASIC** – normally closed, and opened when voltage is fed
- SWITCH OPERATED** – same operation as in the basic strike, but with an option to be switched off by moving the springbolt
- REVERSE** – closed when voltage is fed, opened when not

The reverse and switch operated electric door strikes unavailable for the fire doors

CUTTING THE DOOR LEAVES

Cutting the door leaves to size by customer acc. to Polish standard, up to 50 mm, or up to 80 mm for the HERSE SET door leaves (unless pre-cut), as well as in the flush doors, is possible if an additional lower rail has been fitted by the manufacturer.

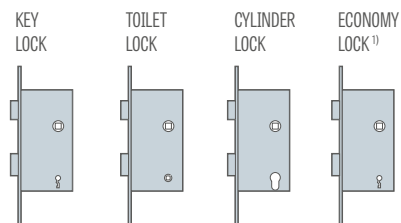
(NOTE: cutting the door leaves to size by customer is not allowed for the FRAGI doors, double and fire doors, non-rebated leaves for sliding systems, glass GRAF doors, FORTECA RC2 and FORTECA RC3 burglar-proof doors, and panelled doors acc. to the CZ standard).

The door leaf height made acc. to the so-called CZ standard is lower than the PL standard by 47 mm.

Factory shortening of the door lowers the handle by the same height.

Leaf type	Handle height as per PL standard (measured from the bottom edge of the door) [mm]
STILE rebated panelled leaves	1107
STILE non-rebated panelled leaves	1110
rebated flush doors	1110
non-rebated flush doors	1110
reverse flush door	1110
Graf glass doors	1131
FORTECA RC2 & RC3 doors	1038
Herse, Herse Akustic doors	1107
Herse door with a strip lock	1033
Herse United door	1117
Leda EI30, EI60 door	1115

HARDWARE – LEVER TUMBLER LOCKS



LOCK PZ CENTRES:

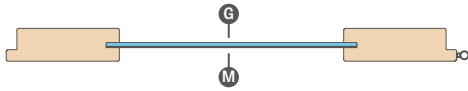
- The magnetic lock PZ centres:
 - for keys, toilet doors: 90 mm
 - for lock cores: 85 mm
 - (non-rebated door leaves with a magnetic lock and reversed swing doors)
- The latch and pin lock PZ centres:
 - for keys, toilet doors, lock core: 72 mm
 - (rebate door leaves and non-rebated door leaves with optional lever tumbler locks)

The toilet locks have a square-shaped bolt hole:

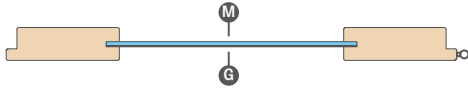
- acc. to PL standard: 4 mm
- acc. to CZ standard: 6 mm

¹⁾ lock provided without a keyhole in the leave

STANDARD "OBSERVE" GLAZING



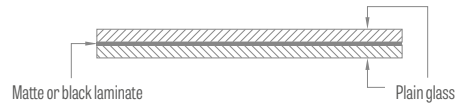
"REVERSE" GLAZING MADE TO ORDER



G plain side **M** matte side with decoration or colourless side with decoration

FROSTED and BLACK VSG 221, 331, 441 LAMINATED GLASS

for STILE doors and flush doors



CLEARANCE UNDER DOOR LEAF AFTER INSTALLATION

Please check the lower clearance dimensions on all products prior to installation, as the allowable deviation due to frame dimensional tolerance is ± 3 mm

GLAZING TRANSLUCENCY ILLUSTRATION



GRAF 1
tempered,
painted glass



GRAF 12
tempered,
painted glass



GRAF 8
decormat



GRAF 9
transparent



GRAF 26
dark grey



RELIEF GLASS



POINT GLASS



GRAF 29
laminated glass



GRAF 11 Decormat
graphite



Tempered glass
decormat frosted



VSG black or VSG/
ESG



VSG frosted or VSG/
ESG



GRAF 67
smoked graphite

FACTORY-DRILLED HANDLE OPENINGS



Factory-drilled handle opening in panelled doors for handles with separate escutcheons available from Erkado.

NON-REBATED & REVERSE HARDWARE



concealed hinge, silver



magnetic lock, silver



adjustable magnetic catch strike,
silver



concealed hinge, black



magnetic lock, black



adjustable magnetic catch strike,
black



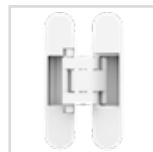
concealed hinge, golden



magnetic lock, golden



adjustable magnetic catch strike,
golden



concealed hinge, white

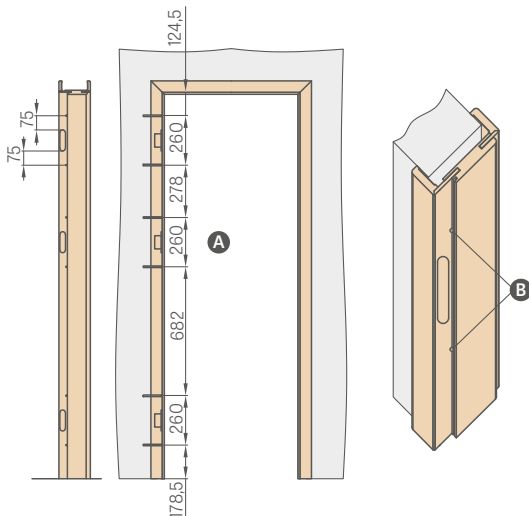


magnetic lock, white



adjustable magnetic catch strike,
white

FRAME DOWELLING FOR NON-REBATED LEAVES



- A** Drill holes for metal screws of min length 80 mm x \varnothing 6 mm
- B** Apart from installation foam, mounting anchors are required when installing the door frame. Drill the holes for screws under the gasket so that it hides them.

DOUBLE DOORS

REBATED AND NON-REBATED

USEFUL INFORMATION

DOUBLE DOORS



- The double doors are supplied with a solid core infill for an additional charge.
- The double doors are made according to available models of the flush single doors, STILE doors with respective features: colour, finish (STANDARD, SOFT), glazing etc.
- Double doors available in CPL 0.2 & CPL 0.7
- Passive doors use pull latches.
- Under "60" width passive door available as a solid core, plain version only – side panel (see drawing below).
- Side panels are made in the STANDARD edge flush technology. Available with a honeycomb infill as standard or solid core panel for an additional charge. Grain direction of the side panels is vertical.
- Both active and inactive door leaves come with lippings.
- Lippings in CPL 0.7 door leaves are laminated with CPL 0.2
- The double doors in non-rebated technology are available with a magnetic lock only.
- Double non-rebated leaf doors come with an adjustable door frame only.
- Electric door strike is not available for the double doors.
- PL2112 Standard for selected door leaves

AVAILABLE DOOR LEAF WIDTHS

- Flush and panelled DOUBLE DOORS from "120" to "190"*** and mixes with solid core, plain side panels

60 + 30*	70 + 30*	80 + 30*	90 + 30*	100 + 30*
60 + 40*	70 + 40*	80 + 40*	90 + 40*	100 + 40*
60 + 50*	70 + 50*	80 + 50*	90 + 50*	100 + 50*

- * Side panel available in standard technology only as a solid core, plain version
- ** For "180" non-rebated doors

DOUBLE DOOR PRICE:

- Flush and panelled: active leaf **60 70 80 90 100** + passive leaf **60 70 80 90***

$$\text{Price of double-leaf doors with lipping} = \text{door leaf price} \times 2 + \text{lippings}$$

- Flush and panelled: active leaf **60 70 80 90 100** + solid core, plain passive side panels **30 40 50**

$$\text{price of double-leaf doors with side panel and lipping} = \text{door leaf price} + \text{full side panel with lippings}$$

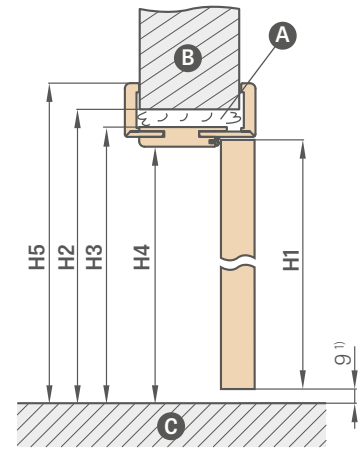
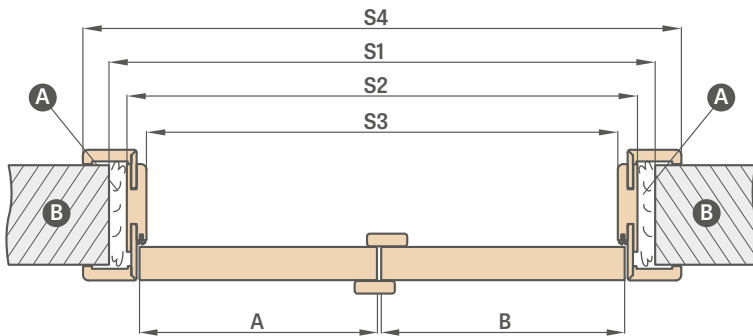
- Prices of fixed and adjustable door frames for double doors + 30%
- Additional charge for solid core in the extension
- Painted side panel only with solid core TITANIUM WHITE UV – for an additional charge

* not in the non-rebated door leaves

DOUBLE DOORS

NON-REBATED

NON-REBATED DOUBLE LEAF DOOR WITH ADJUSTABLE DOOR FRAME



Ⓐ-foam Ⓑ-wall Ⓒ- floor

¹⁾ allowable deviation due to frame dimensional tolerance of +- 3mm (we recommend to check before installation)

Adjustable door frame		NON-REBATED DOUBLE DOORS									
		"90"	"100"	"110"	"120"	"130"	"140"	"150"	"160"	"170"	"180"
A+B	door leaf width	988	1088	1188	1288	1388	1488	1588	1688	1788	1888
S1	opening width in the wall	1061	1161	1261	1361	1461	1561	1661	1761	1861	1961
S2	frame outer width	1021	1121	1221	1321	1421	1521	1621	1721	1821	1921
S3	frame opening width	977	1077	1177	1277	1377	1477	1577	1677	1777	1877
S4	frame cover width architrave 6 cm / architrave 8 cm	1119 / 1159	1219 / 1259	1319 / 1359	1419 / 1459	1519 / 1559	1619 / 1659	1719 / 1759	1819 / 1859	1919 / 1959	2019 / 2059
H1	door leaf height	2030 (2112) ²⁾									
H2	opening height in the wall	2073 (2155) ²⁾									
H3	frame outer height	2053 (2135) ²⁾									
H4	frame opening height	2031 (2113) ²⁾									
H5	frame cover height architraves 6 cm / architraves 8 cm	2102 / 2122 (2184 / 2204) ²⁾									

DOUBLE-LEAF DOORS
- SYMMETRIC



DOUBLE-LEAF DOORS
- ASYMMETRIC



DOUBLE-LEAF DOORS
- WITH PLAIN SIDE PANEL

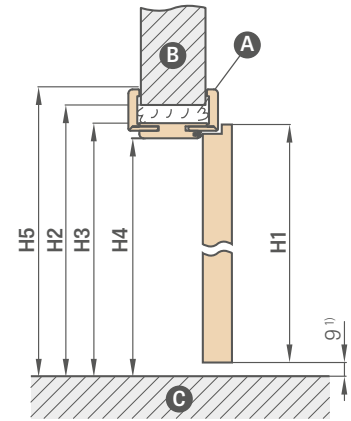
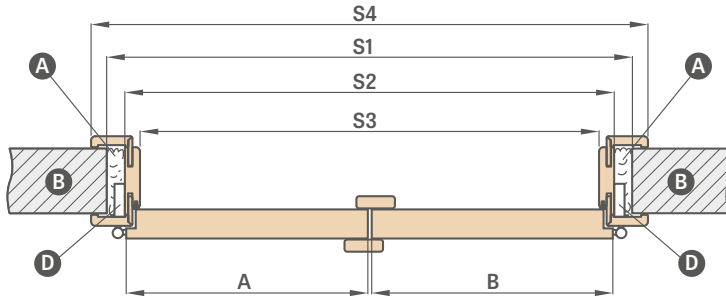


²⁾ PL2112 standard

DOUBLE DOORS

REBATED

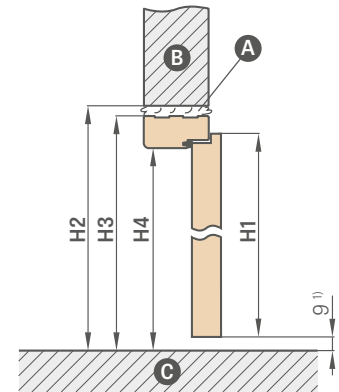
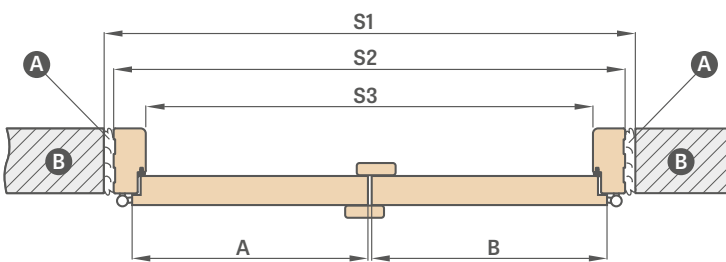
REBATED DOUBLE-LEAF DOORS WITH ADJUSTABLE DOOR FRAME



Ⓐ-foam Ⓑ-wall Ⓒ-floor Ⓓ-hinge socket

Adjustable door frame		DOUBLE DOORS										
		"90"	"100"	"110"	"120"	"130"	"140"	"150"	"160"	"170"	"180"	"190"
A+B	door leaf width	988	1088	1188	1288	1388	1488	1588	1688	1788	1888	1988
S1	opening width in the wall	1034	1134	1234	1334	1434	1534	1634	1734	1834	1934	2034
S2	frame outer width	994	1094	1194	1294	1394	1494	1594	1694	1794	1894	1994
S3	frame opening width	950	1050	1150	1250	1350	1450	1550	1650	1750	1850	1950
S4	frame cover width architrave 6 cm / architrave 8 cm	1092 / 1132	1192 / 1232	1292 / 1332	1392 / 1432	1492 / 1532	1592 / 1632	1692 / 1732	1792 / 1832	1892 / 1932	1992 / 2032	2092 / 2132
H1	door leaf height	2030 (2112) ²										
H2	opening height in the wall	2060 (2142) ²										
H3	frame outer height	2040 (2122) ²										
H4	frame opening height	2018 (2100) ²										
H5	frame cover height architrave 6 cm / architrave 8 cm	2089 / 2109 (2171 / 2191) ²										

REBATED DOUBLE-LEAF DOORS WITH FIXED DOOR FRAME



Ⓐ-foam Ⓑ-wall Ⓒ-floor

Fixed door frame		DOUBLE DOORS										
		"90"	"100"	"110"	"120"	"130"	"140"	"150"	"160"	"170"	"180"	"190"
A+B	door leaf width	988	1088	1188	1288	1388	1488	1588	1688	1788	1888	1988
S1	opening width in the wall	1068	1168	1268	1368	1468	1568	1668	1768	1868	1968	2068
S2	frame outer width	1038	1138	1238	1338	1438	1538	1638	1738	1838	1938	2038
S3	frame opening width	950	1050	1150	1250	1350	1450	1550	1650	1750	1850	1950
H1	door leaf height	2030	2030	2030	2030	2030	2030	2030	2030	2030	2030	2030
H2	opening height in the wall	2077	2077	2077	2077	2077	2077	2077	2077	2077	2077	2077
H3	frame outer height	2062	2062	2062	2062	2062	2062	2062	2062	2062	2062	2062
H4	frame opening height	2018	2018	2018	2018	2018	2018	2018	2018	2018	2018	2018

¹⁾ allowable deviation due to frame dimensional tolerance of +- 3mm (we recommend to check before installation)

²⁾ PL2112 standard

SIDELIGHTS FOR DOORS

REBATED

GENERAL INFORMATION

The sidelights for doors are preassembled and glazed with the VSG 331 safety glass in a frosted or clear variant. (Please state your choice of glass when placing orders). Additional components (e.g. wooden posts) may be required to integrate the side/top lights to the door, or more precisely to the adjustable or fixed frame, which the installer selects and supplies according to the existing opening conditions. ERKADO does not sell these items.

PRICE OF THE SIDELIGHTS FOR DOORS

SIDE LIGHT FOR REBATED SINGLE AND DOUBLE LEAF DOORS					
Height	Door frame	Width			
		"30"	"40"	"50"	"60"
Acc to PL standard	adjustable**				
	fixed				

CORNER LIGHT FOR REBATED SINGLE AND DOUBLE LEAF DOORS					
Height	Door frame	Width			
		"30"	"40"	"50"	"60"
"30"	adjustable**				
	fixed				
"40"	adjustable**				
	fixed				
"50"	adjustable**				
	fixed				
"60"	adjustable**				
	fixed				

TOP LIGHT FOR REBATED SINGLE LEAF DOORS						
Height	Door frame	Width				
		"60"	"70"	"80"	"90"	"100"
"30"	adjustable**					
	fixed					
"40"	adjustable**					
	fixed					
"50"	adjustable**					
	fixed					
"60"	adjustable**					
	fixed					

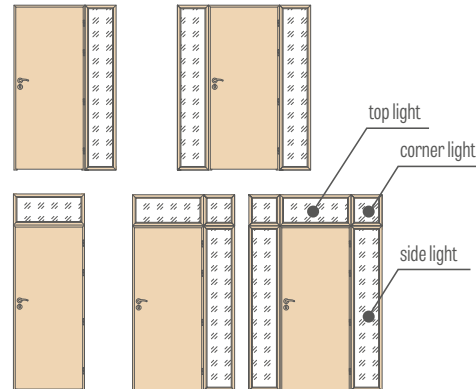
TOP LIGHT FOR REBATED DOUBLE LEAF DOORS												
Height	Door frame	Width										
		"90"	"100"	"110"	"120"	"130"	"140"	"150"	"160"	"170"	"180"	"190"
"30"	adjustable**											
	fixed											
"40"	adjustable**											
	fixed											
"50"	adjustable**											
	fixed											
"60"	adjustable**											
	fixed											

SIDELIGHTS FOR DOORS CATEGORIES

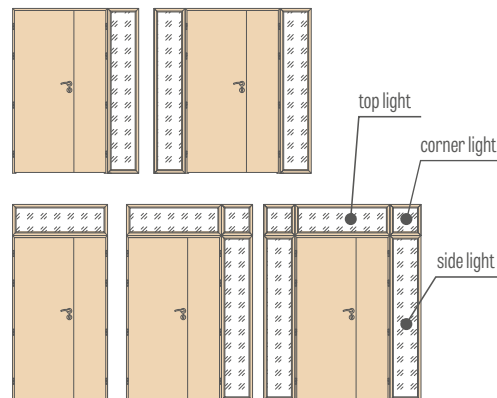
- FOR FIXED DOOR FRAMES
- FOR ADJUSTABLE DOOR FRAMES
- FOR SINGLE LEAF DOORS
- FOR DOUBLE-LEAF DOORS

AVAILABLE PRODUCT PACKAGES

REBATED SINGLE DOORS with top, side and corner lights



REBATED DOUBLE DOORS with top, side and corner lights



** Ranges available as for the standard adjustable rebated door frames, see p. 182-183.

The matte VSG 331 or clear VSG 331 safety glass is included and the price is the same for all facings and ranges for rebated door frames.

Prices apply to lights fitted on 6 and 8 cm architraves.

To paint coated lights + 50% additional charge applies.

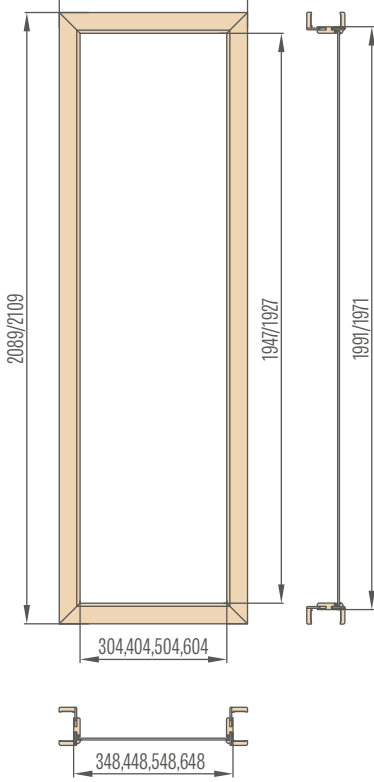
Fitting strips for lights are fixed with headless pins which are seen as small dark spots once nailed (especially in white facings and paint coated lights).

Sidelight not available in CPL 0.2 and CPL 0.7 laminates.

Side lights
for rebated adjustable door frame
architrave 6 cm/architrave 8 cm

"30" **"40"** **"50"** **"60"**

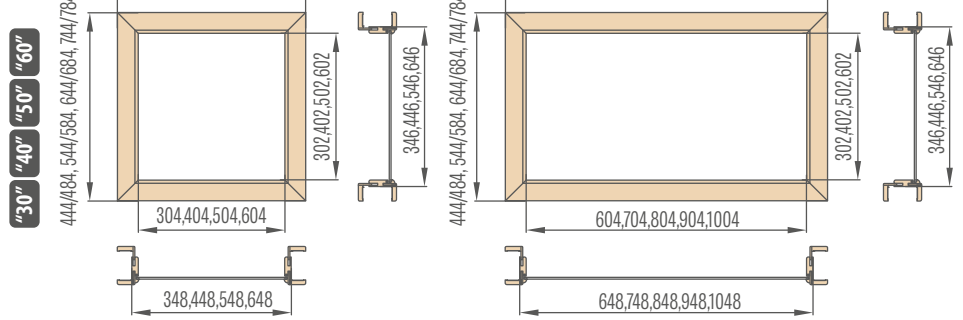
446/486, 546/586, 646/686, 746/786



Corner lights
for rebated adjustable door frame
architrave 6 cm/architrave 8 cm

"30" **"40"** **"50"** **"60"**

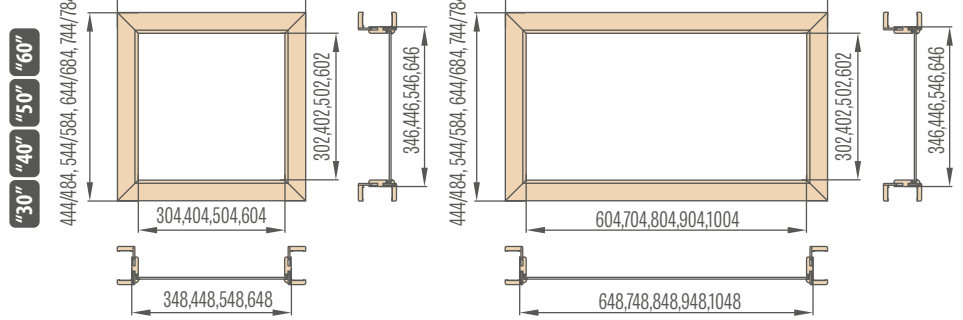
446/486, 546/586, 646/686, 746/786



Top lights for rebated adjustable
door frame in single doors,
architrave 6 cm/architrave 8 cm

"60" **"70"** **"80"** **"90"** **"100"**

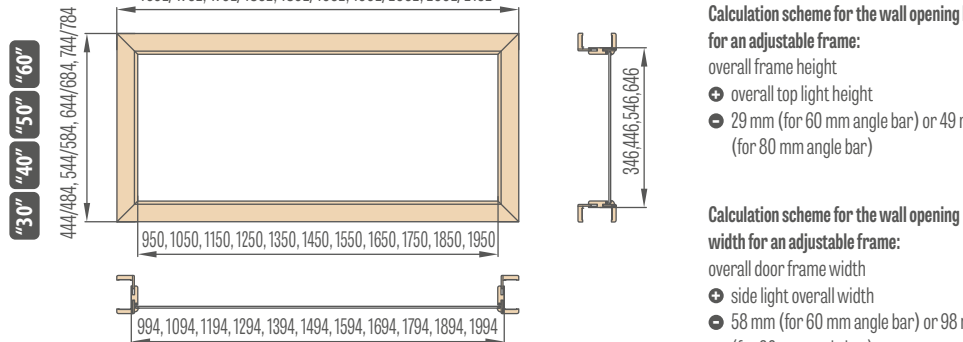
746/786, 846/886, 946/986, 1046/1086, 1146/1186



Top lights for adjustable door frame in rebated double doors architrave 6 cm / architrave 8 cm

"90" **"100"** **"110"** **"120"** **"130"** **"140"** **"150"** **"160"** **"170"** **"180"** **"190"**

1092/1132, 1192/1232, 1292/1332, 1392/1432, 1492/1532, 1592/1632,
1692/1732, 1792/1832, 1892/1932, 1992/2032, 2092/2132



Calculation scheme for the wall opening height
for an adjustable frame:

- overall frame height
- + overall top light height
- 29 mm (for 60 mm angle bar) or 49 mm (for 80 mm angle bar)

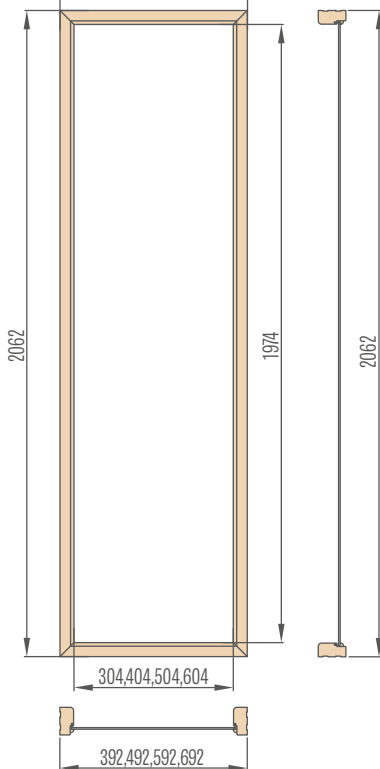
Calculation scheme for the wall opening
width for an adjustable frame:

- overall door frame width
- + side light overall width
- 58 mm (for 60 mm angle bar) or 98 mm (for 80 mm angle bar)

Side lights for fixed door frame

"30" **"40"** **"50"** **"60"**

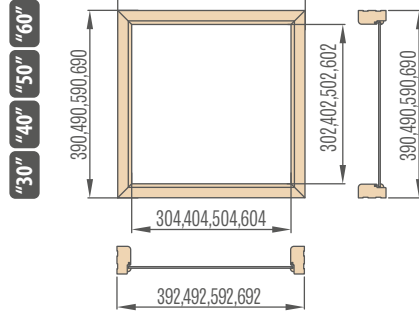
392,492,592,692



Corner lights for fixed door frame

"30" **"40"** **"50"** **"60"**

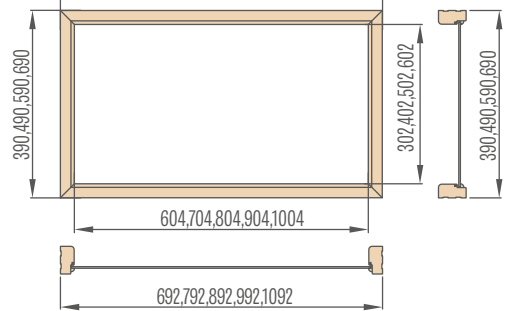
392,492,592,692



Top lights for fixed door frame in single leaf doors

"60" **"70"** **"80"** **"90"** **"100"**

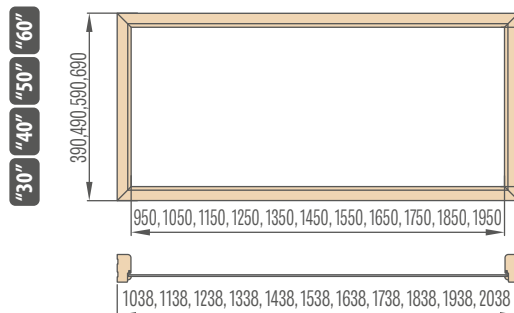
692,792,892,992,1092



Top lights for fixed door frame in double doors

"90" **"100"** **"110"** **"120"** **"130"** **"140"** **"150"** **"160"** **"170"** **"180"** **"190"**

390,490,590,690



DOOR FRAMES

- The adjustable and fixed rebated door frames can be used for all types of ERKADO internal doors made in both flush and STILE panelled technologies.
- The adjustable non-rebated door frames can be used for internal doors made in both flush and STILE panelled technologies. These door frames are supplied with three concealed hinges.
- The door frame is made with high quality MDF board and covered with durable wood grain film or coated with durable UV paint.
- Depending on the technology, the door frames are faced with: GREKO, CPL, PREMIUM and UV paint.
- The frames for STILE doors have a third hinge as standard.
- Each adjustable or fixed door frame is complete with frame components (striker plate, hinge plate and top beam), hinges and mounting screws. The components are supplied with pre-drilled holes for fixing.
- Each set is enclosed with assembly manual and warranty certificate.
- The fixed door frame for Herse collection is rectangular and its core is made of glulam timber.

**ADJUSTABLE DOOR FRAME
REBATED DOOR LEAVES**



**ADJUSTABLE OVERLAY DOOR FRAME
FOR STEEL DOOR FRAMES**



**ADJUSTABLE DOOR FRAME
NON-REBATED DOOR LEAVES**

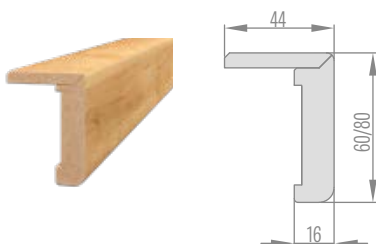


**STAND FIXED DOOR FRAME
REBATED DOOR LEAVES**



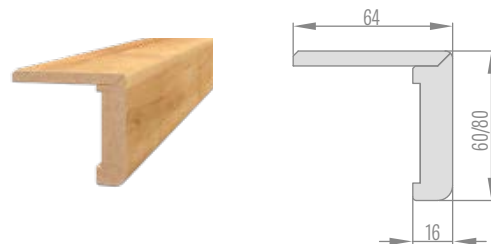
**STANDARD SQUARE FOR ADJUSTABLE
DOOR FRAME**

architrave 6 cm / architrave 8 cm

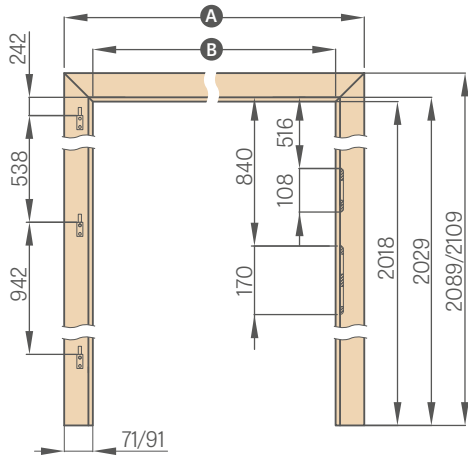


**SQUARE WITH EXTENDED TONGUE
FOR ADJUSTABLE DOOR FRAME**

architrave 6 cm / architrave 8 cm



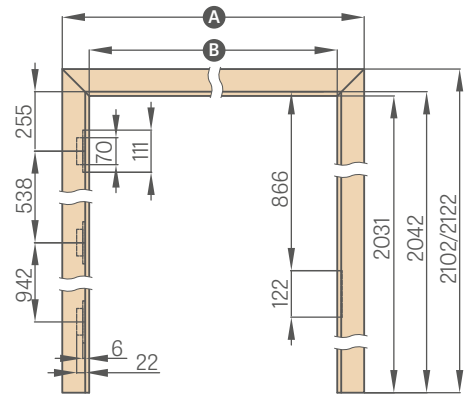
ADJUSTABLE REBATED DOOR FRAME



	"60"	"70"	"80"	"90"	"100"	"110"
A	746 / 786	846 / 886	946 / 986	1046 / 1086	1146 / 1186	1246 / 1286
B	604	704	804	904	1004	1104

architrave 6 cm / architrave 8 cm

ADJUSTABLE NON-REBATED DOOR FRAME - PL STANDARD

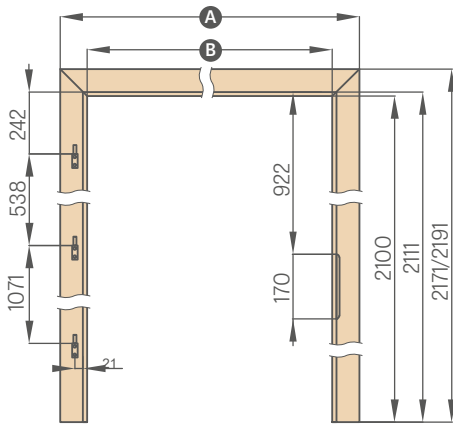


	"60N"	"60"	"70N"	"70"	"80N"	"80"
A	747/787	771 / 811	847/887	871/911	947/987	971/1011
B	605	629	705	729	805	829

	"90N"	"90"	"100"	"110"
A	1047/1087	1071 / 1111	1171 / 1211	1271/1311
B	905	929	1029	1129

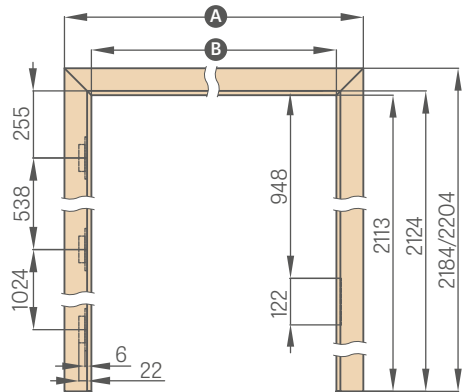
Widths 60N, 70N, 90N available only for ALTAMURA 1, BALDUR 1 and UNO PREMIUM models

ADJUSTABLE REBATED DOOR FRAME - PL2112 STANDARD



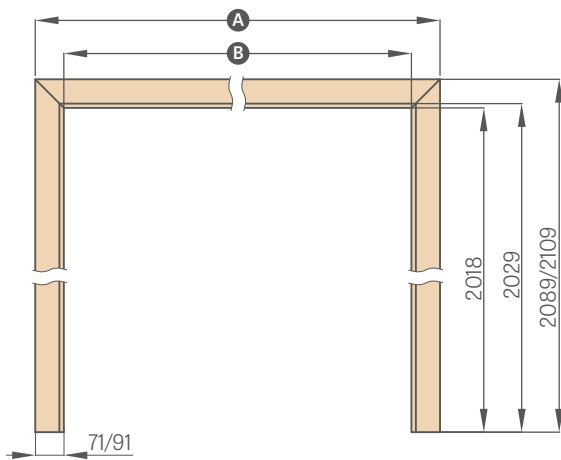
	"60"	"70"	"80"	"90"	"100"	"110"
A	746 / 786	846 / 886	946 / 986	1046 / 1086	1146 / 1186	1246 / 1286
B	604	704	804	904	1004	1104

ADJUSTABLE NON-REBATED DOOR FRAME - PL2112 STANDARD



	"60"	"70"	"80N"	"80"	"90"	"100"	"110"
A	771 / 811	871/911	947/987	971/1011	1071 / 1111	1171 / 1211	1271/1311
B	629	729	805	829	929	1029	1129

ADJUSTABLE REBATED DOOR FRAME, TUNNEL TYPE

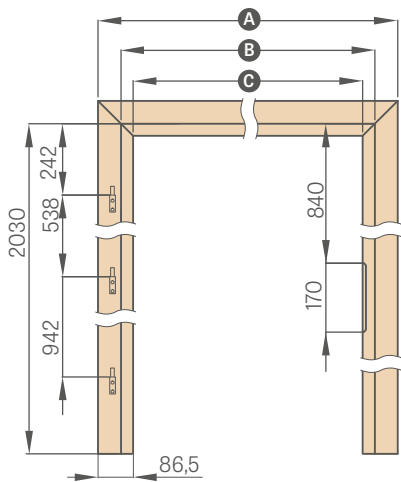


	"60"	"70"	"80"	"90"	"100"	"110"	"120"
A	746 / 786	846 / 886	946 / 986	1046 / 1086	1146 / 1186	1246 / 1286	1346 / 1386
B	604	704	804	904	1004	1104	1204

	"130"	"140"	"150"	"160"	"170"	"180"	"190"
A	1446 / 1486	1546 / 1586	1646 / 1686	1746 / 1786	1846 / 1886	1946 / 1986	2046 / 2086
B	1304	1404	1504	1604	1704	1804	1904

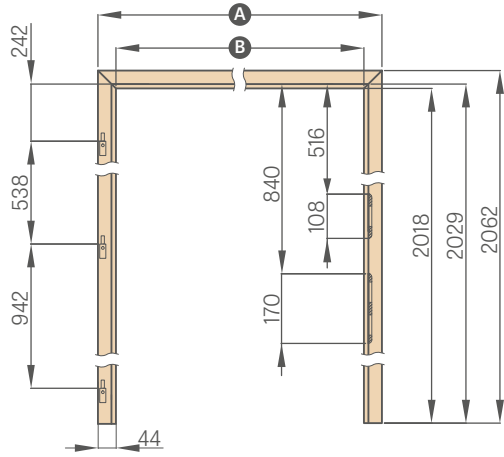
architrave 6 cm / architrave 8 cm

CASING DOOR FRAME



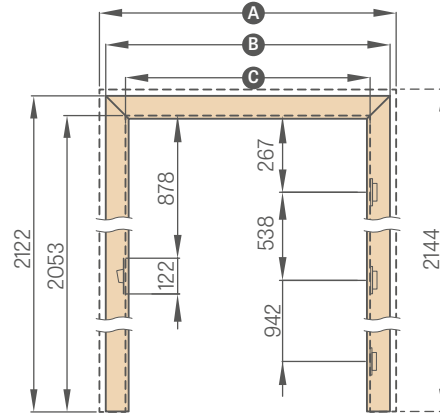
	"60"	"70"	"80"	"90"	"100"
A	737	837	937	1037	1137
B	624	724	824	924	1024
C	564	664	764	864	964

FIXED DOOR FRAME



	"60"	"70"	"80"	"90"	"100"	"110"
A	692	792	892	992	1092	1192
B	604	704	804	904	1004	1104

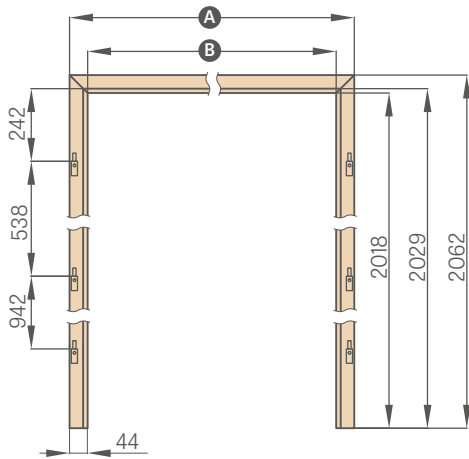
REVERSE DOOR FRAME



Widths 60N, 70N, 90N only available for ALTAMURA 1, BALDUR 1 and UNO PREMIUM models

	"60N"	"60"	"70N"	"70"	"80N"	"80"	"90N"	"90"	"100"	"110"
A	810	834	910	934	1010	1034	1110	1134	1234	1334
B	766	791	866	891	966	991	1066	1091	1191	1291
C	628	652	728	752	828	852	928	952	1052	1152

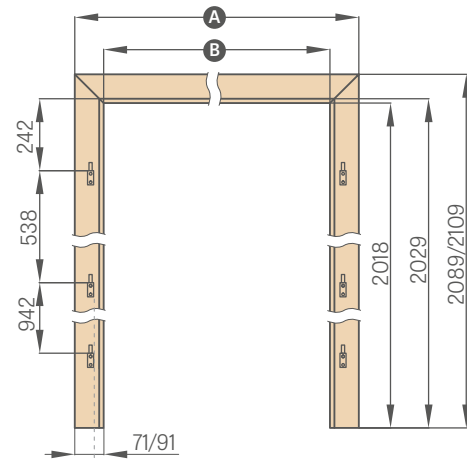
FIXED DOOR FRAME FOR DOUBLE-LEAF DOORS



	"90"	"100"	"110"	"120"	"130"	"140"
A	1038	1138	1238	1338	1438	1538
B	950	1050	1150	1250	1350	1450

	"150"	"160"	"170"	"180"	"190"
A	1638	1738	1838	1938	2038
B	1550	1650	1750	1850	1950

ADJUSTABLE REBATED DOOR FRAME FOR DOUBLE-LEAF DOORS

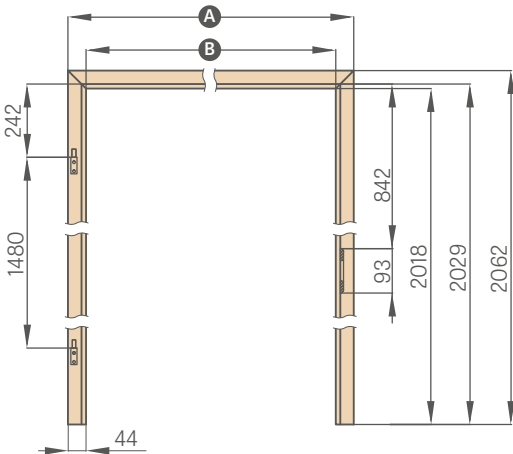


	"90"	"100"	"110"	"120"	"130"	"140"
A	1092/1132	1192/1232	1292/1332	1392/1432	1492/1532	1592/1632
B	950	1050	1150	1250	1350	1450

	"150"	"160"	"170"	"180"	"190"
A	1692/1732	1792/1832	1892/1932	1992/2032	2092/2132
B	1550	1650	1750	1850	1950

architrave 6 cm / architrave 8 cm

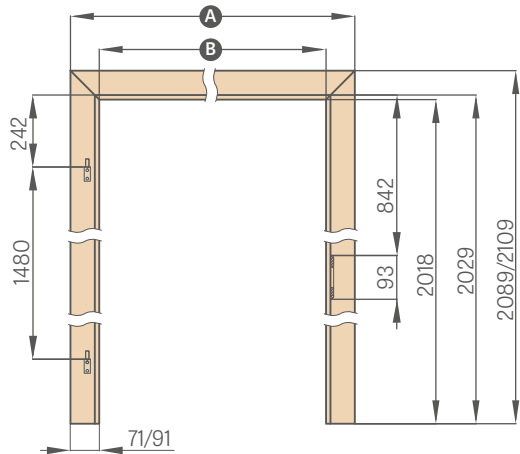
FIXED DOOR FRAME FOR GLASS DOORS



	"60"	"70"	"80"	"90"
A	692	792	892	992
B	604	704	804	904

10 mm pin hinge for glass panes frames

ADJUSTABLE REBATED DOOR FRAME FOR GLASS DOORS



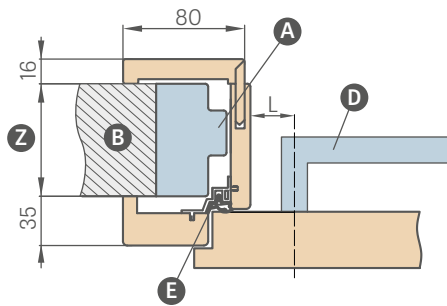
	"60"	"70"	"80"	"90"
A	746/786	846/886	946/986	1046/1086
B	604	704	804	904

architrave 6 cm / architrave 8 cm

ADJUSTABLE OVERLAY DOOR FRAME

FOR STEEL DOOR FRAMES

HANDLE POSITION IN AN OVERLAY DOOR FRAME



L – distance between the handle centre line and the frame strip edge
L = 28 mm for panelled and flush doors (available with all interior door handles presented in the range)

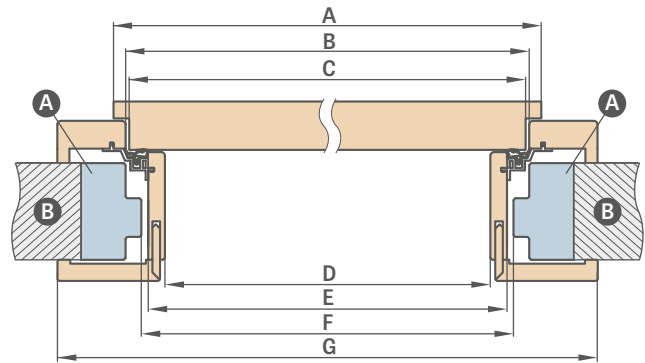
NOTE: Check the handle backplate/escutcheon dimensions before installation.
Adjustable overlay door frame of over 200 mm consists of two components, and a frame of over 320 mm consists of three components.

AVAILABLE WIDTHS FOR OVERLAY FRAMES:

60 70 80 90 100

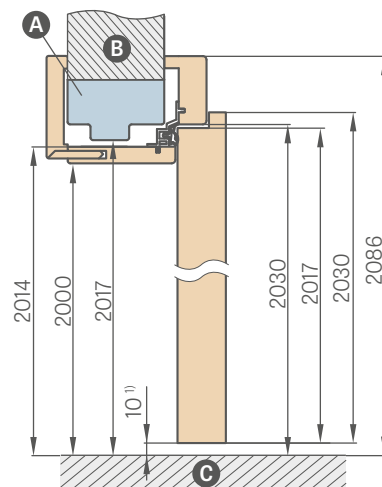
Adjustment range min-max (mm)	ADJUSTABLE CASING DOOR FRAME	
	GREKO	ST CPL & PREMIUM
80-100		
100-120		
120-140		
140-160		
160-180		
180-200		
200-220		
220-240		
240-260		
260-280		
280-300		
300-320		
320-340		
340-360		
360-380		
380-400		
400-420		
420-440		

OVERLAY DOOR FRAME DIAGRAM



Door width	A	B	C	D	E	F	G
"60"	644	624	618	564	592	598	733
"70"	744	724	718	664	692	698	833
"80"	844	824	818	764	792	798	933
"90"	944	924	918	864	892	898	1033
"100"	1044	1024	1018	964	992	998	1133

F – min dimension of the steel frame opening, on which to fit an overlay door frame.
This dimension can exceed the recommended one by max 20 mm. For greater frame opening, ensure the architraves cover the wall appropriately.



¹⁾ allowable deviation due to frame dimensional tolerance of +- 3 mm (we recommend to check before installation)

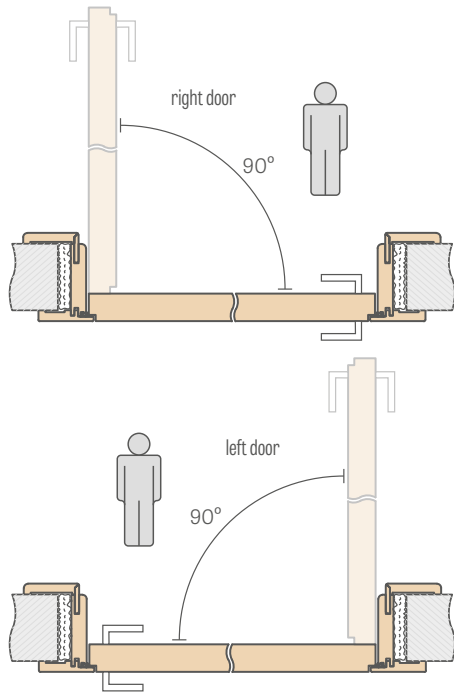
- A** – steel door frame
- B** – wall
- C** – floor
- D** – handle
- E** – aluminium profile with gasket
- Z** – range from 80 mm to 255 mm

- 120 mm and 55 mm extension for the top frame – for an additional charge
- standard square for the casing door frame – for an additional charge
- square with an extended tongue – for an additional charge

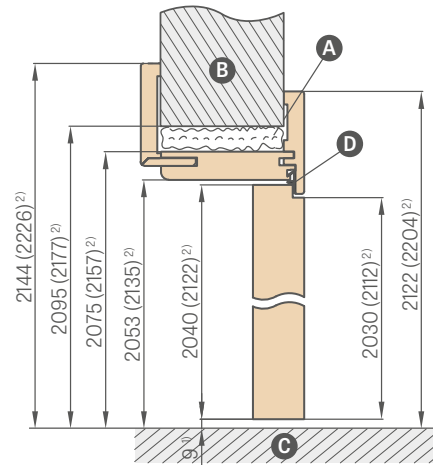
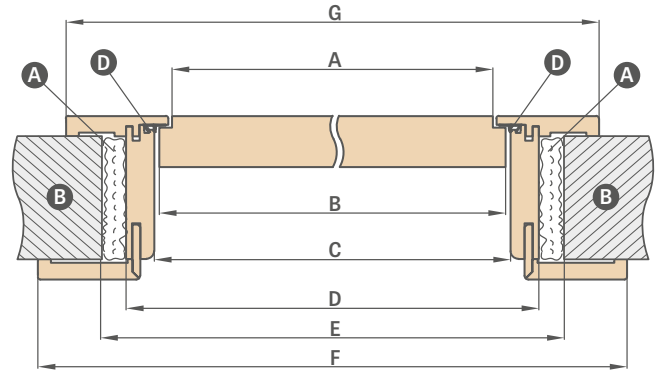
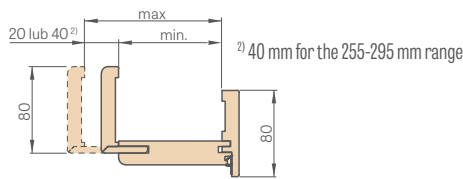
- tunnel type door frame for widths of 60, 70, 80, 90, 100 are at the price of the adjustable overlay door frame.
- the tunnel is of the same dimensions as the overlay door frame and is not pre-drilled for hinge or door striker plate, but is supplied with a gasket
- prices of door frames for double-leaf doors + 30%

REVERSE DOOR FRAME

REVERSE DOOR LEAVES



ADJUSTMENT RANGE FOR REVERSE DOOR FRAME



¹⁾ allowable deviation due to frame dimensional tolerance of ± 3 mm (we recommend to check before installation)

²⁾ Standard PL2112

Ⓐ-foam Ⓑ-wall Ⓒ-floor Ⓓ- rubber gasket

Adjustment range min-max (mm)	REVERSE DOOR FRAME		
	GREKO	ST CPL & PREMIUM	PAINTED
75-95			
95-115			
115-135			
135-155			
155-175			
175-195			
195-215			
215-235			
235-255			
255-295			
295-315			
315-335			
335-355			

Door width	A	B	C	D	E	F	G
*60N ³⁾	600	620	628	672	700	810	766
*60"	624	644	652	696	736	834	791
*70N ³⁾	700	720	728	772	800	910	866
*70"	724	744	752	796	836	934	891
*80N"	800	820	828	872	900	1010	966
*80"	824	844	852	896	936	1034	991
*90N ³⁾	900	920	928	972	1000	1110	1066
*90"	924	944	952	996	1036	1134	1091
*100"	1024	1044	1052	1096	1136	1234	1191
*110"	1124	1144	1152	1196	1236	1334	1291

³⁾ widths 60N, 70N, 90N only available for ALTAMURA 1, BALDUR 1 and UNO PREMIUM models

NOTE: The working range of frame will be reduced by 3 mm (for single-sided use) or 6 mm (for double-sided use) when a set (crosshead + pilasters) for the reverse adjustable frame is selected. Example: assume a 140 mm thick wall with a single-sided set to be 143mm thick, while with a double-sided set to be 146 mm thick, and look for a corresponding masonry coverage in the table for rebated frames (p. 171), non-rebated frames (p. 168) or reverse frames (p. 167).

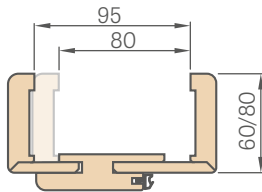
- the frame for reverse doors is available as a standard with 8 cm square joined at 45 degrees or 90 degrees for an additional charge (not available for 75-95 mm)
- the frame includes two mortise hinges invisible when the leaf is closed or an optional third hinge for an additional charge
- available facing layers within the colour group: GREKO, PREMIUM, ST CPL and TITANIUM WHITE UV varnish
- option to use black, white or golden hinges and strike plate – for an additional charge
- changing the range by +20 mm (available in the ranges from 135-155 mm to 235-255 mm) – for an additional charge
- 120 mm and 55 mm extension for laminated or painted reverse frame – for an additional charge
- movable square with 2 cm longer tongue and standard square for adjustable frames with all laminates and lacquered – for an additional charge
- the door frame above 295 mm is composed of two parts
- top panels can be glued to the wall for an additional charge page 152
- PL2112 standard additional charge 15 %

ADJUSTABLE DOOR FRAME

NON-REBATED DOOR LEAVES

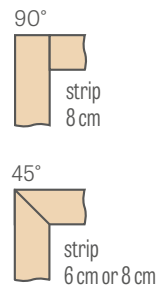
ADJUSTABLE DOOR FRAME RANGE 80-95mm

architrave 6 cm / architrave 8 cm

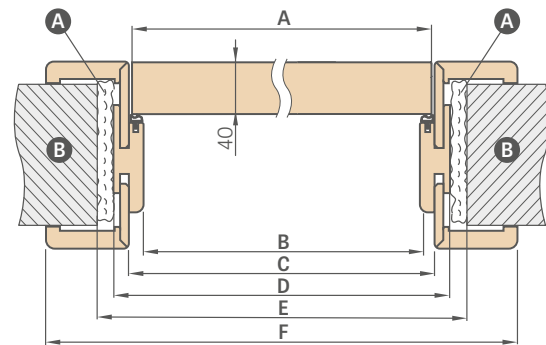


The square tongue is to be trimmed by a customer to required size, for door frames within 80-95mm range

DOOR FRAME JOINTS

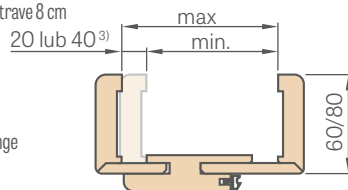


ADJUSTABLE DOOR FRAME DIAGRAM



ADJUSTABLE DOOR FRAME RANGE

architrave 6 cm / architrave 8 cm

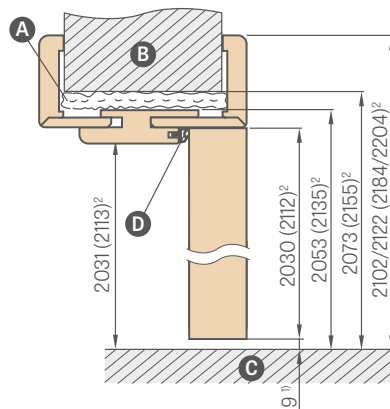


³⁾ 40 mm for the 295-335 mm range

Door width	A	B	C	D	E	F
"60N" ³⁾	620	605	627	649	688	747*/787**
"60"	644	629	651	673	714	771*/811**
"65"	695	680	702	724	764	822*/862**
"70N" ³⁾	720	705	727	749	788	847*/887**
"70"	744	729	751	773	814	871*/911**
"75"	795	780	802	824	864	922*/962**
"80N"	820	805	827	849	888	947*/987**
"80"	844	829	851	873	914	971*/1011**
"85"	895	880	902	924	964	1022*/1062**
"90N" ³⁾	920	905	927	949	988	1047*/1087**
"90"	944	929	951	973	1014	1071*/1111**
"95"	995	980	1002	1024	1064	1122*/1162**
"100"	1044	1029	1051	1073	1114	1171*/1211**
"110"	1144	1129	1151	1173	1214	1271*/1311**

* architrave 6 cm / ** architrave 8 cm

Adjustment range min-max (mm)	ADJUSTABLE DOOR FRAME architraves 6 cm & 8 cm			
	GREKO	ST CPL & PREMIUM	CPL 0.2	PAINTED
80-95				
95-115				
115-135				
135-155				
155-175				
175-195				
195-215				
215-235				
235-255				
255-275				
275-295				
295-315				
315-355				
355-375				
375-395				
395-415				



¹⁾ allowable deviation due to frame dimensional tolerance of +- 3 mm (we recommend to check before installation)

²⁾ PL2112 Standard for an additional charge of 15%

³⁾ widths 60N, 70N, 80N, 90N only available for ALTAMURA 1, BALDUR 1 and UNO PREMIUM models

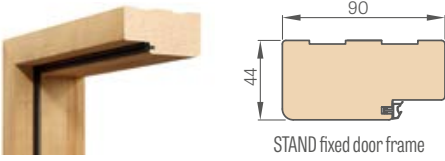
NOTE: The working range of frame will be reduced by 3 mm (for single-sided use) or 6 mm (for double-sided use) when a set (crosshead + pilasters) for the non-rebated adjustable frame is selected. Example: assume a 140 mm thick wall with a single-sided set to be 143mm thick, while with a double-sided set to be 146 mm thick, and look for a corresponding masonry coverage in the table for rebated frames (p. 171), non-rebated frames (p. 168) or reverse frames (p. 167).

- PL2112 standard frame +15% on the frame price before additional charges
- adjustable rebate-free door frame in CPL0.2 is also used in combination with doors in CPL0.7
- option to use black, white or golden hinges and strike plate – for an additional charge
- joints at 90 degrees possible for door frames with the 8 cm architraves only; additional charge for frame joints at 90°
- the door frame above 335 mm is composed of two parts
- prices of adjustable door frames for double doors + 30%
- 120 mm and 55 mm extension for non-rebated door frame, laminated, CPL 0.2 and lacquered – for an additional charge
- adjustable square with 2 cm extended tongue and standard square for adjustable frames available in all facings and in CPL0.2 and lacquer – for an additional charge – for 6 cm and 8 cm architraves
- tunnel type door frame for widths of 60, 70, 80N, 80, 90, 100 are at the price of the adjustable rebated door frame (see table p. 183)
- tunnel type door frame for widths of 110, 120, 130, 140, 150, 160, 170, 180, 190 are at the price of the adjustable door frame for rebated double doors (see table p. 183)
- top panels glued to the wall (only for frames with 8 cm corner) – p. 152
- electric door strike (only available for latch and pin lock) – for an additional charge
- changing the range by +20 mm (available in the ranges from 135-155 mm to 295-315 mm) – for an additional charge
- the door frame contains two so-called hidden hinges, invisible when the door leaf is closed, or an optional third hinge at an additional cost

FIXED DOOR FRAME

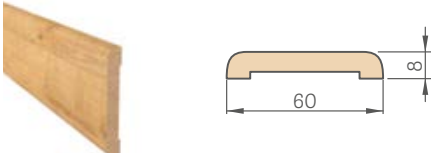
REBATED DOOR LEAVES

FIXED DOOR FRAME



GREKO	
ST CPL & PREMIUM	
CPL 0.2	
PAINTED	

ARCHITRAVES 8 mm



GREKO	
ST CPL & PREMIUM	
CPL 0.2	
PAINTED	

Price for a set of 2 pcs. x 213.5 cm and 1 pc. x 112 cm (for door leaves from "60" to "90")
 Price for a set of 3 pcs. x 213.5 cm (for door leaves from "100" to "190")

QUARTER ROUND



GREKO	
ST CPL & PREMIUM	
PAINTED	

Price for a set of 2 pcs. x 211.5 cm and 1 pc. x 106.5 cm (for door leaves from "60" to "90")
 Price for a set of 3 pcs. x 211.5 cm (for door leaves from "100" to "190")

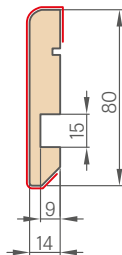
ELECTRIC DOOR STRIKE

Technical specifications on p. 149



SKIRTING BOARD length 2.40 lin.m.

- laminated
- lacquered

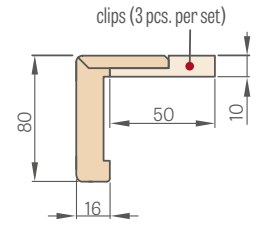


- the skirting board is made of moisture resistant MDF board. Available variants: TITANIUM WHITE UV paint, laminates: GREKO, ST CPL, PREMIUM and in base laminate to be paint coated.
- fitting method: bonding to wall

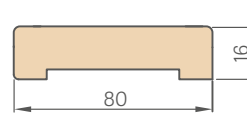
CLIP-ON SQUARE 6 cm and 8 cm (3 pcs. of clips supplied)



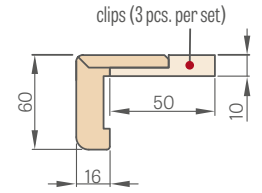
GREKO	
ST CPL & PREMIUM	
CPL 0.2	
PAINTED	



ARCHITRAVES 16 mm

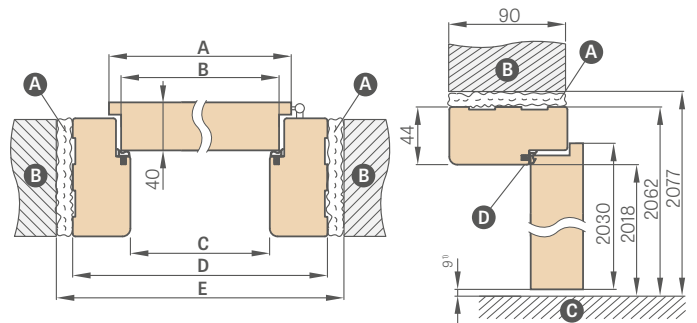


GREKO	
ST CPL & PREMIUM	
CPL 0.2	
PAINTED	



Price for a set of 2 pcs. x 214.5 cm and 1 pc. x 112 cm (for door leaves from "60" to "80")
 Price for a set of 3 pcs. x 214.5 cm (for door leaves from "90" to "180")

STAND FIXED FRAME



¹⁾ allowable deviation due to frame dimensional tolerance of +- 3 mm (we recommend to check before installation)

Door width	A	B	C	D	E
"60"	644	618	604	692	722
"65"	695	669	655	743	773
"70"	744	718	704	792	822
"75"	795	769	755	843	873
"80"	844	818	804	892	922
"85"	895	869	855	943	973
"90"	944	918	904	992	1022
"95"	995	969	955	1043	1073
"100"	1044	1018	1004	1092	1122
"110"	1144	1118	1104	1192	1222

Ⓐ-foam Ⓑ-wall Ⓒ-floor Ⓓ-rubber gasket

- fixed door frame for double-leaf doors + 30%
- non-rebated fixed door frame - NA
- the fixed frame, architrave and clip-on square in CPL 0.2 are also used in the set for door leaves in CPL 0.7
- black strike plate only available for GRAF glass door frames - for an additional charge

ADJUSTABLE DOOR FRAME

REBATED DOOR LEAVES

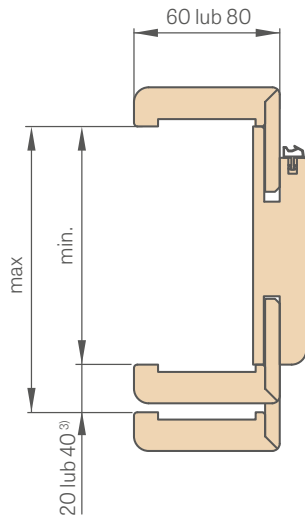


ADJUSTABLE DOOR FRAME
ABOVE 340 mm

Adjustable door frame above 340 mm consists of two elements.

ADJUSTABLE DOOR FRAME RANGE

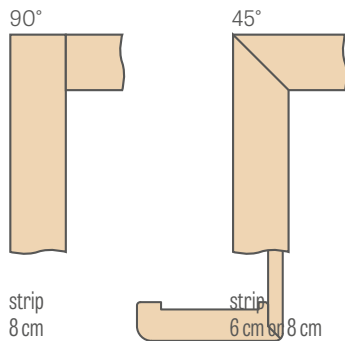
architrave 6 cm / architrave 8 cm



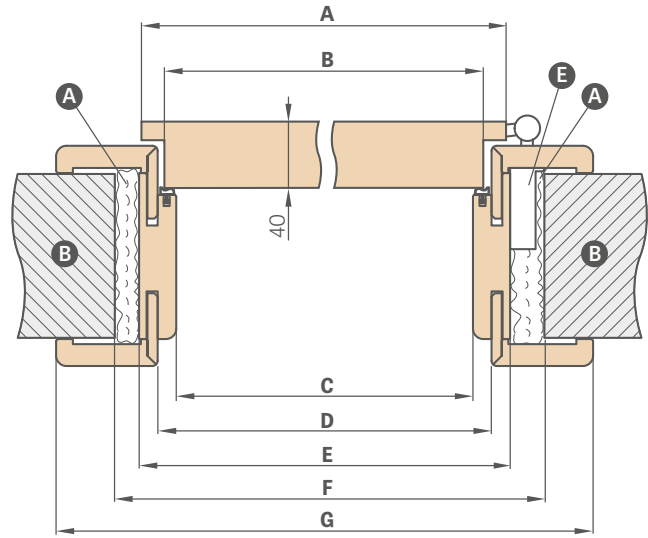
³⁾ 40 mm for the 300-340 mm range

The square tongue is to be trimmed by a customer to required size, for door frames within 65-80mm range

DOOR FRAME JOINTS

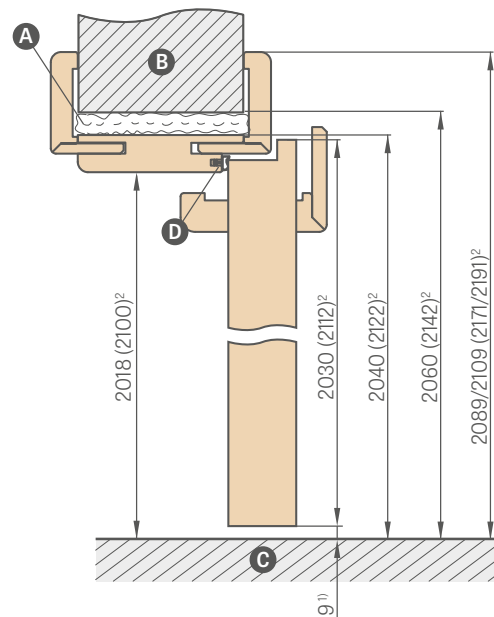


ADJUSTABLE DOOR FRAME DIAGRAM



Door width	A	B	C	D	E	F	G
"60"	644	618	604	626	648	688	746*/786**
"65"	695	669	655	677	699	739	797*/837**
"70"	744	718	704	726	748	788	846*/886**
"75"	795	769	755	777	799	839	897*/937**
"80"	844	818	804	826	848	888	946*/986**
"85"	895	869	855	877	899	939	997*/1037**
"90"	944	918	904	926	948	988	1046*/1086**
"95"	995	969	955	977	999	1039	1097*/1137**
"100"	1044	1018	1004	1026	1048	1088	1146*/1186**
"110"	1144	1118	1104	1126	1148	1188	1246*/1286**

* architrave 6 cm / ** architrave 8 cm



¹⁾ allowable deviation due to frame dimensional tolerance of ± 3 mm (we recommend to check before installation)

²⁾ PL2112 Standard for an additional charge of 15%

A - foam **B** - wall **C** - floor **D** - rubber gasket
E - hinge socket

Adjustment range min-max (mm)	ADJUSTABLE DOOR FRAME AND TUNNEL architraves 6 cm & 8 cm			
	GREKO	ST CPL & PREMIUM	CPL 0.2	PAINTED
65-80				
80-100				
100-120				
120-140				
140-160				
160-180				
180-200				
200-220				
220-240				
240-260				
260-280				
280-300				
300-340				
340-360				
360-380				
380-400				
400-420				

1 component

2 components

NOTE: The working range of frame will be reduced by 3 mm (for single-sided use) or 6 mm (for double-sided use) when a set (crosshead + pilasters) for the rebated adjustable frame is selected. Example: assume a 140 mm thick wall with a single-sided set to be 143 mm thick, while with a double-sided set to be 146 mm thick, and look for a corresponding masonry coverage in the table for rebated frames (p. 171), non-rebated frames (p. 168) or reverse frames (p. 167).

- PL2112 standard frame +15% on the frame price before additional charges
- the CPL 0.2 adjustable rebated frame is also used with CPL 0.7 door leaves
- joints at 90 degrees possible for door frames with the 8 cm architraves only; additional charge for joining at 90 degrees
- electric door strike – for an additional charge
- reinforcement for door closer – for an additional charge
- prices of fixed and adjustable door frames for double doors + 30%
- adjustable square with 2 cm extended tongue and standard square for adjustable frames available in all facings and in CPL 0.2 and lacquer – for an additional charge – for 6 cm and 8 cm architraves
- black or white strike plate only available for GRAF glass door frames – for an additional charge
- 120 mm and 55 mm extension for adjustable laminated frame and CPL 0.2 and painted frame – for an additional charge
- possibility to make door frames ranging between 0 and 520 mm – an additional charge for each 2 cm is PLN 80, relative to the frame price of PLN 400-420 mm
- tunnel type door frame for both rebated and non-rebated door widths of 60, 70, 80N (only non-rebated), 80, 90, 100 are at the price of the rebated adjustable door frames.
- tunnel type door frame for both rebated and non-rebated door widths of 110, 120, 130, 140, 150, 160, 170, 180, 190 are at the price of the adjustable door frame for rebated double doors
- top panels glued to the wall (only for frames with 8 cm corner) – p. 152
- changing the range by +20 mm (available in the ranges from 120-140 mm to 280-300 mm) – for an additional charge